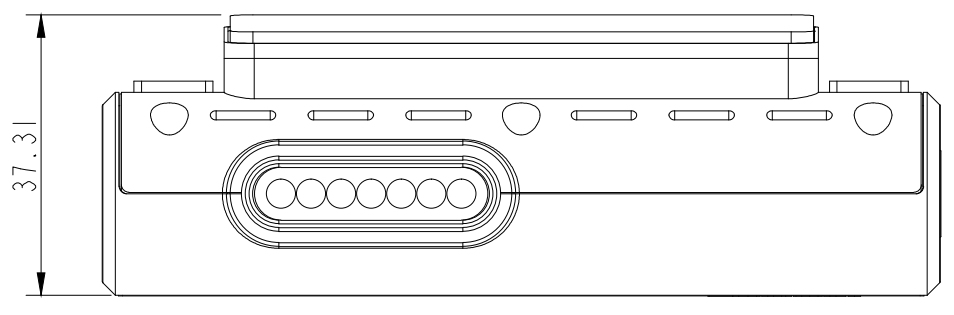
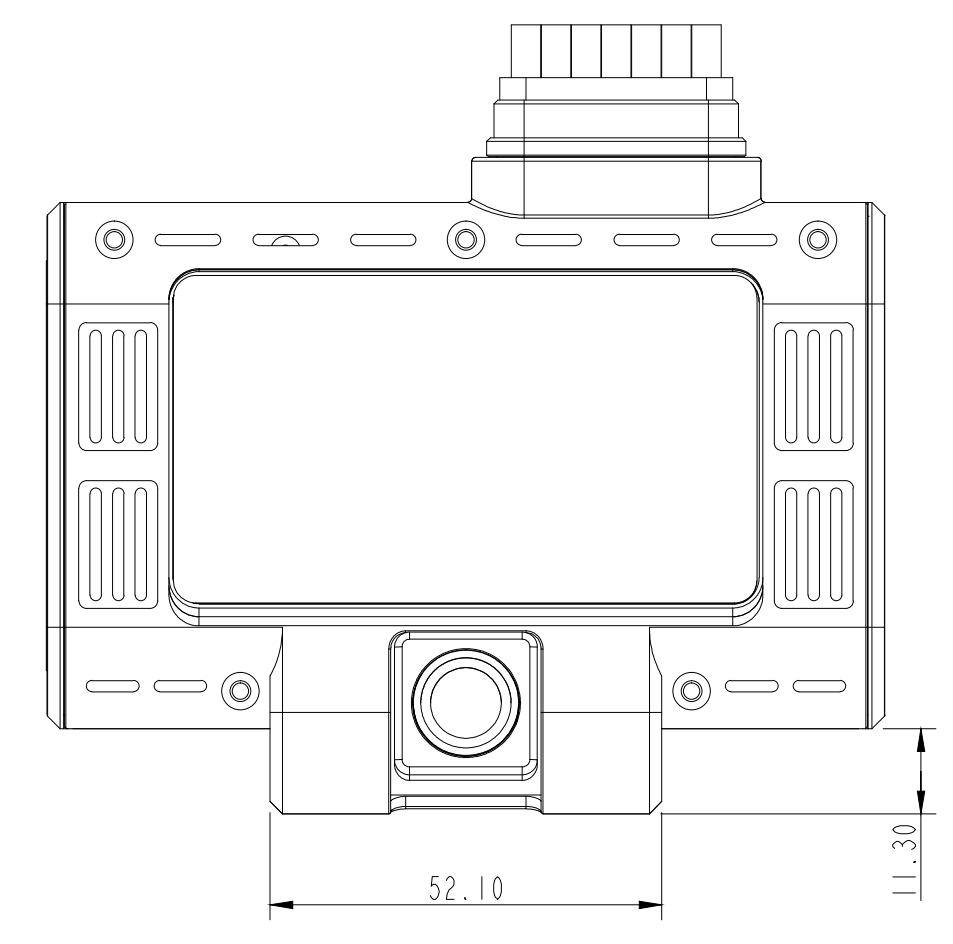
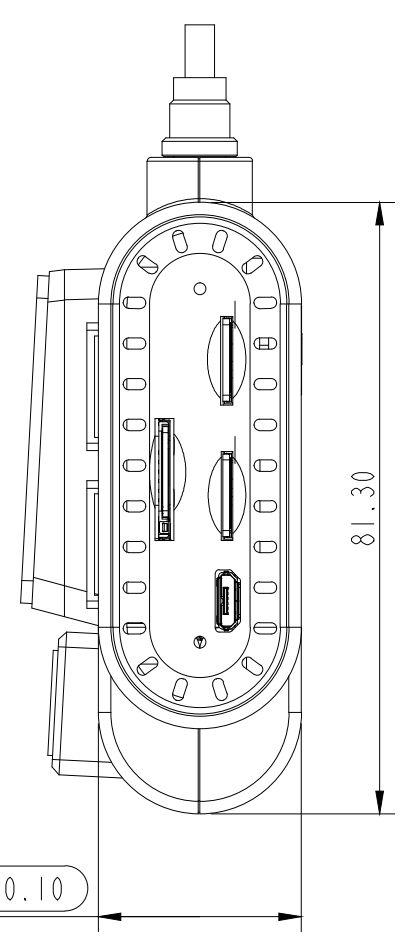
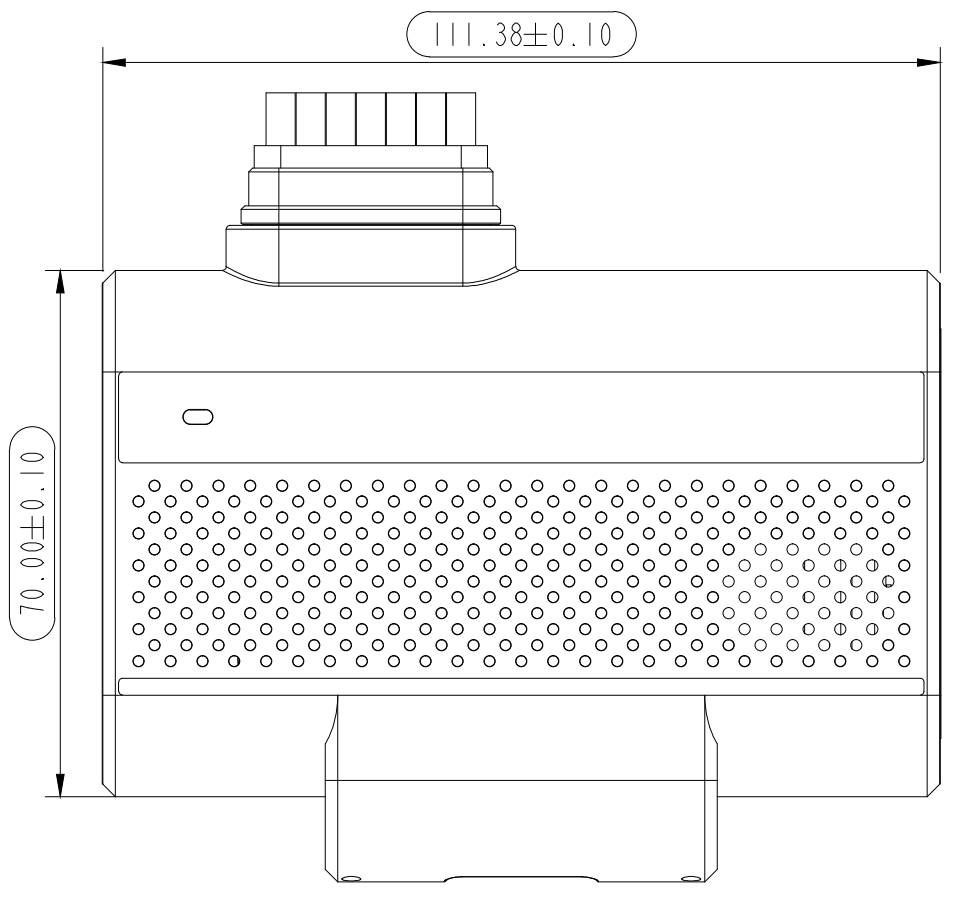
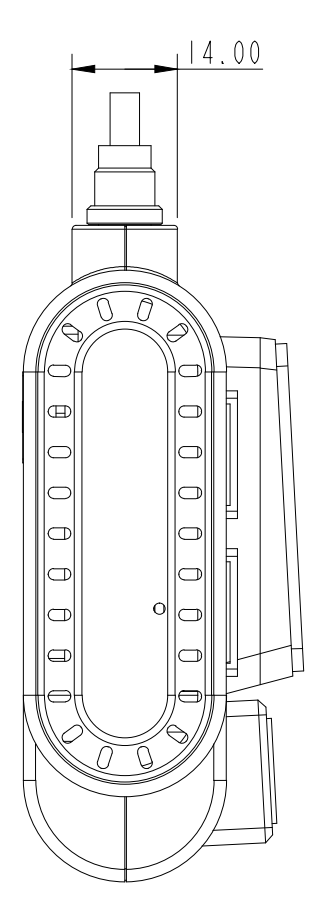
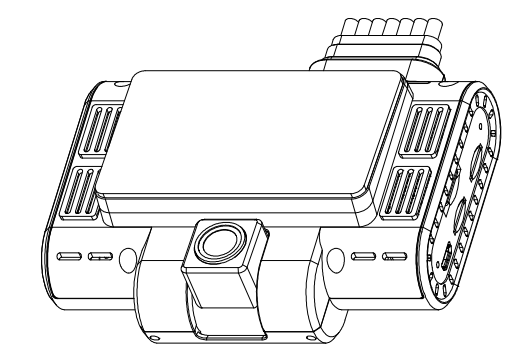
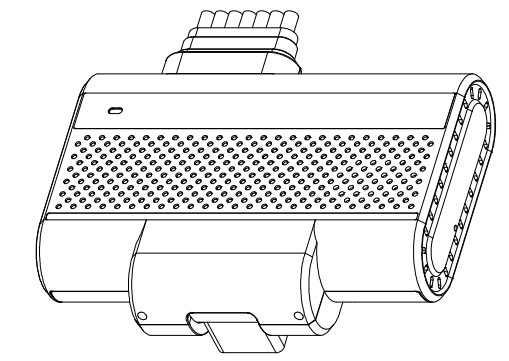
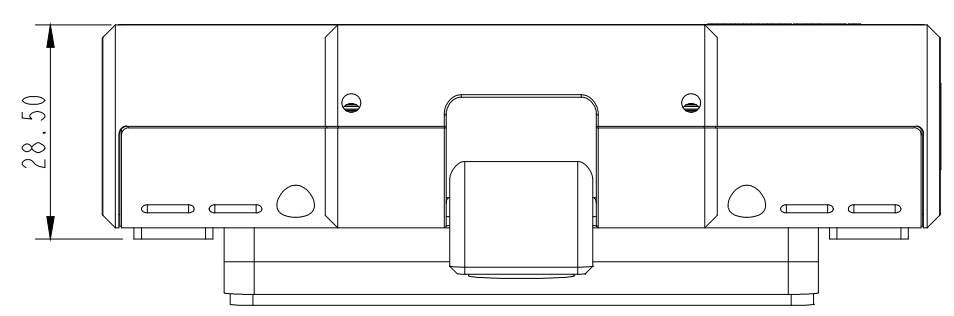


REV	ECO NO.	DESCRIPTION



.X					TITLE: MT9504 B3 组装图	
.XX						
.XXX	ANG		DRAW:	DATE: 2022-06-13	UNIT'S: MM	DWG NO.:
			CHKD:	DATE:	FINISH:	
			STAD:	DATE:	MASS(Kg):	PART NO.:
			APPD:	DATE:	SCALE: 1:1	REV VI.0
			PRODUCT:		SHEET: OF	MAT'L: